

Refrigerated Display Cabinet Test Report

Test Laboratory Name/Address

Laboratory of FROST TECH(Guangzhou) Refrigeration Facilities CO.,LTD.
Xiaowu Industrial Zone Dongchong Town,Nansha District,Guangzhou,
Guangdong Province,P.R.China.

Manufacturing Name/Address

FROST TECH(Guangzhou) Refrigeration Facilities CO.,LTD.
Xiaowu Industrial Zone Dongchong Town,Nansha District,Guangzhou,
Guangdong Province,P.R.China.

Brand Name	FROST TECH
Product	Refrigerated display cabinet
Description	The product covered by this report is a commercial used, cord connected refrigerated display cabinet.
Model(s)	SD75/120SH
Voltage/Frequency	220-240V,50Hz
Rating current	9A
Drip tray Rating current	3A
Teststandard(s)orcriteria(s)	(EU)2019/2018 (EU)2019/2024 ENISO23953-2:2015

Conclusion	The results are in compliance with the requirements of the EC regulation 2019/2024. Energy efficiency class: E
------------	---

Prepared by: He Jianjin

Photo 1 - Front view:

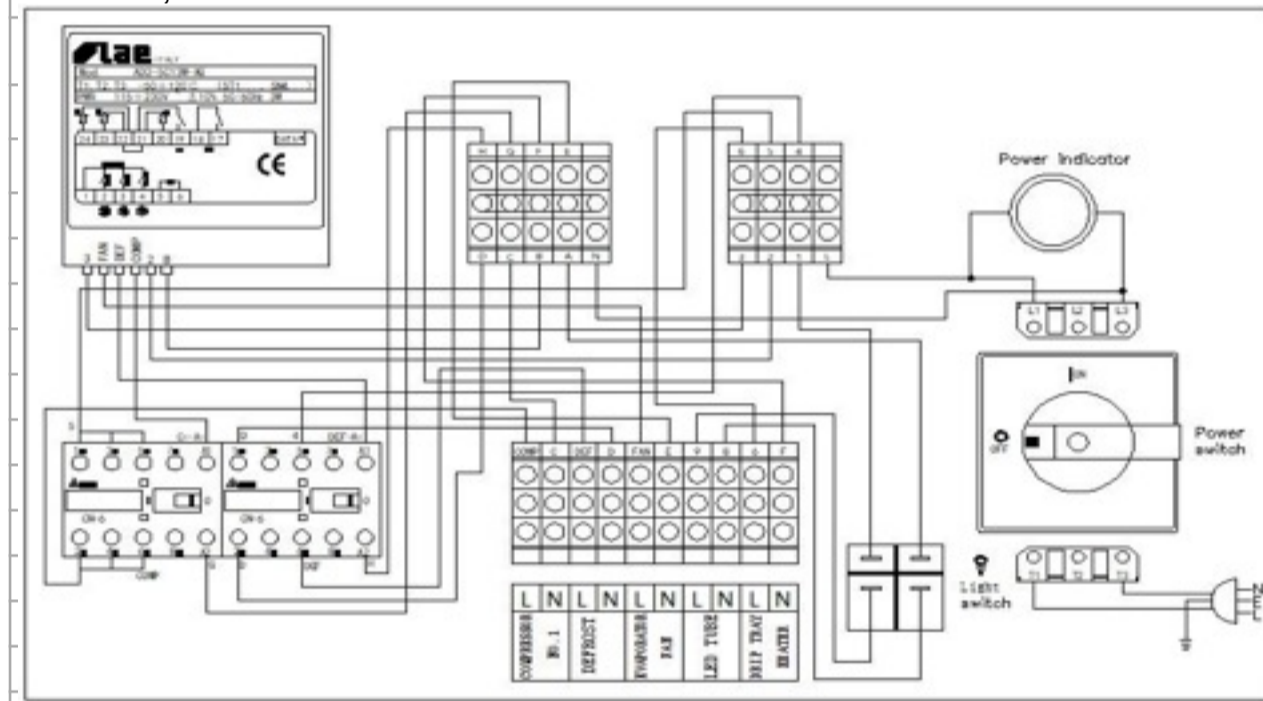


Name plate:

COMMERCIAL DISPLAY CABINET	
Model	SD75/120SH
Voltage/Frequency	220-240/50Hz
Rating current	12A
Refrigerant	R452A / R404A (R290 Available)
Compressor	Tecumseh CAJ4517Z
Controller	LAE AD2-5C
Vesicant	CO2

Name: FROST TECH

Address: Xiaowu Industrial Zone Dongchong Town, Nansha District, Guangzhou, Guangdong Province, P.R. China.



Product details:

Cabinet family code	VC2
Cabinet type	Integral
Model number of Unit Under Tested	SD75/120SH
Brand name	FROST TECH
Operating temperature(s)	Chilled
Category	Vertical and combined supermarket refrigerator cabinets
Energy efficiency class	E
Climate class	3
M Package Temperature Class	M2
Doors	Shutter door
Shelves	4 shelves
Light	LED tube
Refrigerant	R452A / R404A (R290 Available)
Charge of refrigerant(g)	1100g
Over all dimensions(W*D*H)[mm]	750*1200*1950

Performance parameter:

Highest temperature of the warmest M-package of the compartment(s) with chilled operating temperatures (°C)	+7
Lowest temperature of the coldest M-package of the compartment(s) with chilled operating temperatures, or the highest minimum temperature of all M-packages of the compartment(s) with chilled operating temperatures (°C)	-1

Critical Components:

Name	Manufacturer/trademark	Type/model	Technical data
Compressor	TECUMSEH	CAJ4517Z	220-240V,50Hz
Controller	LAE	AD2-5C	220-240V,50Hz

Test Condition:

Dry Bulb	25±1°C
Relative humidity	60±3%
Input Voltage	230V
Input Frequency	50Hz

Temperature and total display area Tests:

Temperature Class	Symbol	Temperature Test(°C)			Total display area test(m)
		Temperature	Limit	Verdict	
M2	θah	6.5	≤7	Pass	2.51
	θb	1.1	≥-1	Pass	

Calculation for EEI and conclusion:

Total display area TDA(m)	2.51
M	9.1
N	9.100
P	1.1
Y	2.51
C	1
Calculation formula	SAE: 365 * P * (M + N * Y) * C
Standard annual energy consumption SAE(Kwh/24h)	12853.54
Daily energy consumption E _{daily} (kWh/24h)	22.8
Annual energy consumption AE(kWh/a)	8322
Energy Efficiency Index EEI	64
Energy efficiency class	E
From 1 March 2021: EEI < 100, ice-cream freezers: EEI < 80	Pass
From 1 September 2023: EEI < 80, ice-cream freezers: EEI < 50	Pass

