

## Refrigerated Display Cabinet Test Report

**Test Laboratory Name/Address**

Laboratory of FROST TECH(Guangzhou) Refrigeration Facilities CO.,LTD.  
Xiaowu Industrial Zone Dongchong Town,Nansha District,Guangzhou,  
Guangdong Province,P.R.China.

**Manufacturing Name/Address**

FROST TECH(Guangzhou) Refrigeration Facilities CO.,LTD.  
Xiaowu Industrial Zone Dongchong Town,Nansha District,Guangzhou,  
Guangdong Province,P.R.China.

Brand Name	FROST TECH
Product	Refrigerated display cabinet
Description	The product covered by this report is a commercial used,cord connected refrigerated display cabinet.
Model(s)	ECO P75/60 C.C.
Voltage/Frequency	220-240V,50Hz
Rating current	3.29A
Drip tray Rating current	3A
Teststandard(s)orcriteria(s)	(EU)2019/2018 (EU)2019/2024 ENISO23953-2:2015

**Conclusion**  
The results are in compliance with there requirements of the EC regulation 2019/2024.  
Energy efficiency class: C

Prepared by:He Jianjin

Photo 1 - Front view:



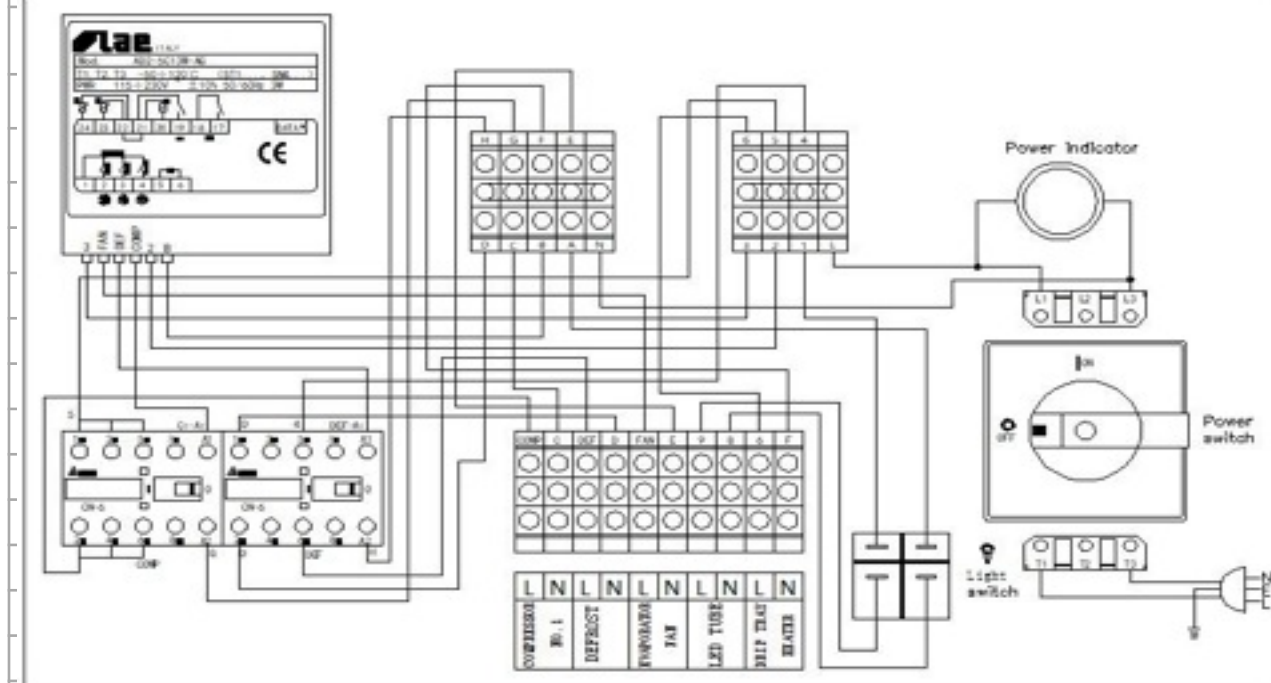
**Name plate:**

COMMERCIAL DISPLAY CABINET

Model	ECO P75/60 C.C.
Voltage/Frequency	220-240/50Hz
Rating current	6.29A
Refrigerant	R452A / R404A (R290 Available)
Compressor	Tecumseh AE4460Z
Controller	LAE AD2-5C
Vesicant	CO2

Name:FROST TECH

Address:Xiaowu Industrial Zone Dongchong Town,Nansha District,Guangzhou,Guangdong Province,P.R.China.



**Product details:**

Cabinet family code	VC2
Cabinet type	Integral
Model number of Unit Under Tested	ECO P75/60 C.C.
Brand name	FROST TECH
Operating temperature(s)	Chilled
Category	Vertical and combined supermarket refrigerator cabinets
Energy efficiency class	C
Climate class	3
M Package TemperatureClass	M2
Doors	Rear Hinged Door
Shelves	3 Toughened glass shelves
Light	LED strip light
Refrigerant	R452A / R404A (R290 Available)
Charge of refrigerant(g)	550g
Over all dimensions(W*D*H)[mm]	750*600*1450

**Performance parameter:**

Highest temperature of the warmest M-package of the compartment(s) with chilled operating temperatures (°C)	+7
Lowest temperature of the coldest M-package of the compartment(s) with chilled operating temperatures, or the highest minimum temperature of all M-packages of the compartment(s) with chilled operating temperatures (°C)	-1

**Critical Components:**

Name	Manufacturer/trademark	Type/model	Technical data
Compressor	TECUMSEH	AE4460Z	220-240V,50Hz
Controller	LAE	AD2-5C	220-240V,50Hz

**Test Condition:**

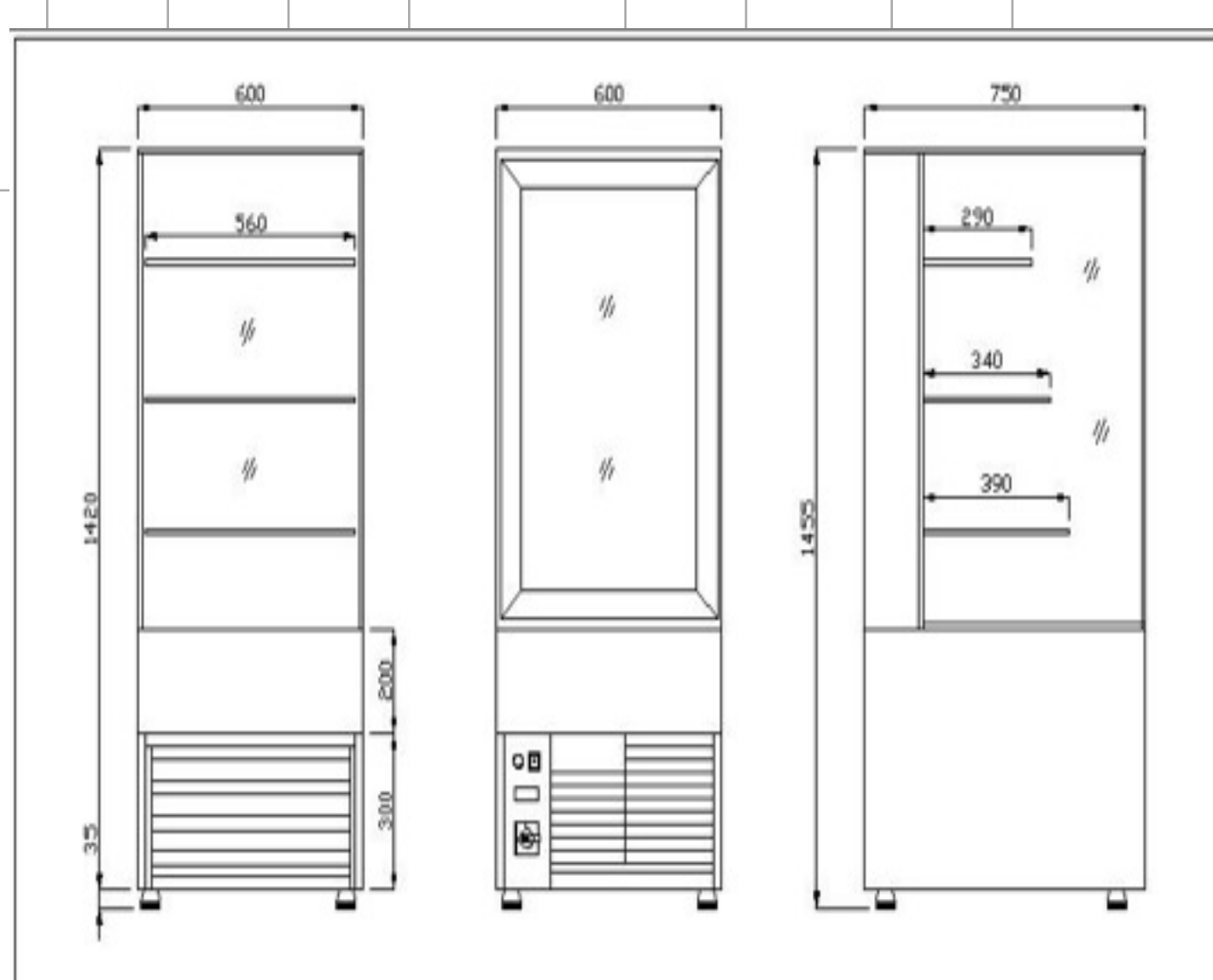
Dry Bulb	25±1°C
Relativehumidity	60±3%
Input Voltage	230V
InputFrequency	50Hz

**Temperature and total display area Tests:**

Temperature Class	Symbol	Temperature Test(°C)			Total display area test(m
		Temperature	Limit	Verdict	
M2	θah	6.3	≤7	Pass	1.35
	θb	3	≥-1	Pass	

**Calculation for EEI and conclusion:**

Total display area TDA(m	1.35
M	9.1
N	9.100
P	1.1
Y	1.35
C	1
Calculation formula	SAE:365*P*(M+N*Y)*C
Standard annual enery consumption SAE(Kwh/24h)	8586
Daily energy consumption Edaily (kWh/24h)	8.21
Annual energy consumption AE(kWh/a)	3000
Energy Efficiency Index EEI	34.9
Energy efficiency class	C
From 1 March 2021 :EEI<100,Ice-cream freezers:EEI<80	Pass
From 1 September 2023:EEI<80,Ice-cream freezers:EEI<50	Pass



Type	Length	Depth	Height	Nom. voltage/frequency	Electrical fusing	Temperature range
ECO-P 75/60. C.C	600 mm	750 mm	1455 mm	230 V/50 Hz	13A, slow	0 ... +7 °C



