

Refrigerated Display Cabinet Test Report

| | |
|--|---|
| Test Laboratory Name/Address | |
| Laboratory of FROST TECH(Guangzhou) Refrigeration Facilities CO.,LTD. Xiaowu Industrial Zone Dongchong Town,Nansha District,Guangzhou, Guangdong Province,P.R.China. | |
| Manufacturing Name/Address | |
| FROST TECH(Guangzhou) Refrigeration Facilities CO.,LTD. Xiaowu Industrial Zone Dongchong Town,Nansha District,Guangzhou, Guangdong Province,P.R.China. | |
| Brand Name | FROST TECH |
| Product | Refrigerated display cabinet |
| Description | The product covered by this report is a commercial used, cord connected refrigerated display cabinet. |
| Model(s) | ECO P60/90B |
| Voltage/Frequency | 220-240V,50Hz |
| Rating current | 2.05A |
| Drip tray Rating current | n/a |
| Teststandard(s)orcriteria(s) | (EU)2019/2018 (EU)2019/2024 ENISO23953-2:2015 |
| Conclusion | The results are in compliance with the requirements of the EC regulation 2019/2024. Energy efficiency class: C |

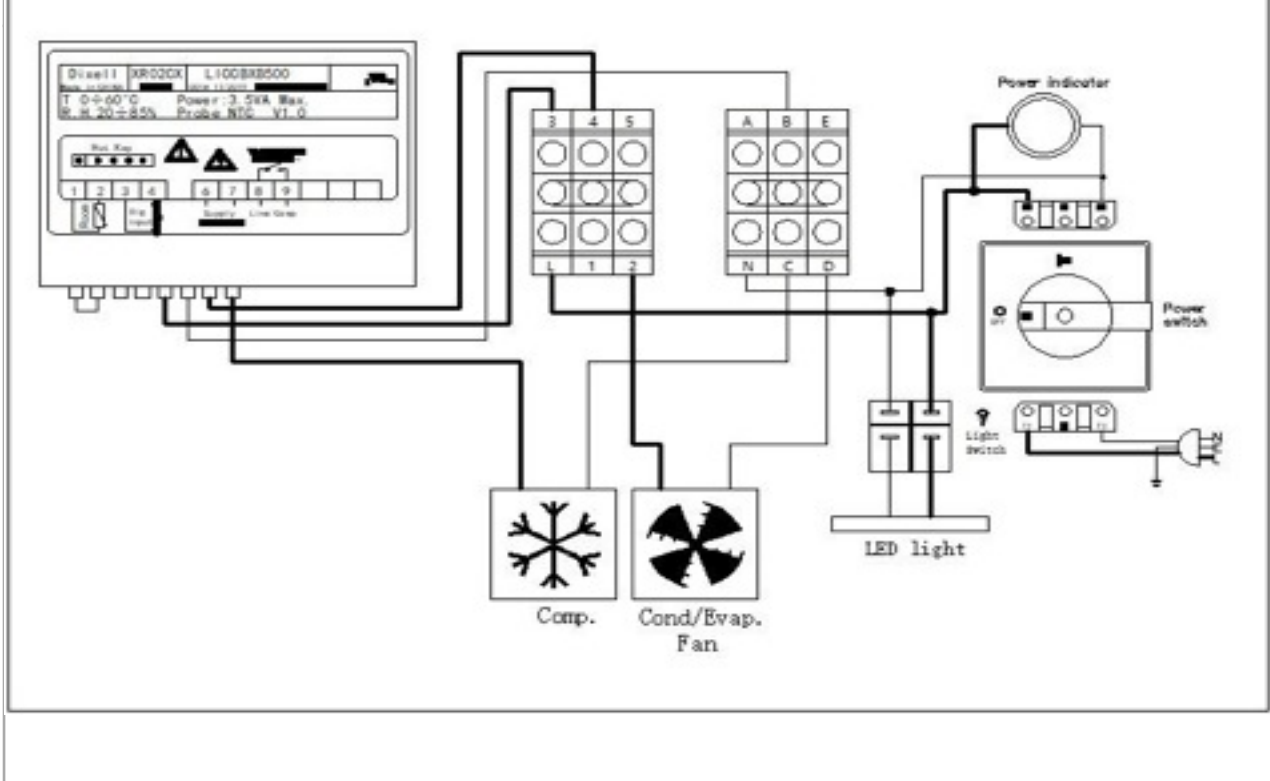
| | |
|------------------------|--|
| Prepared by:He Jianjin | |
| | |
| | |

Photo 1 - Front view:



| | |
|-----------------------------------|--------------|
| Name plate: | |
| COMMERCIAL DISPLAY CABINET | |
| Model | ECO P60/90B |
| Voltage/Frequency | 220-240/50Hz |
| Rating current | 2.05A |
| Refrigerant | R134A/200g |
| Compressor | AE4425Y |
| Controller | DIXEL XR02CX |
| Vesicant | CO2 |

Name:FROST TECH
Address:Xiaowu Industrial Zone Dongchong Town,Nansha



| | |
|-----------------------------------|---|
| Product details: | |
| Cabinet family code | VC2 |
| Cabinet type | Integral |
| Model number of Unit Under Tested | ECO P60/90B |
| Brand name | FROST TECH |
| Operating temperature(s) | Chilled |
| Category | Vertical and combined supermarket refrigerator cabinets |
| Energy efficiency class | C |
| Climate class | 3 |
| M Package TemperatureClass | M2 |
| Doors | Rear Sliding Doors |
| Shelves | 3 Toughened glass shelves |
| Light | LED tube |
| Refrigerant | R134A |
| Charge of refrigerant(g) | 200 |
| Over all dimensions(W*D*H)[mm] | 900*600*1185 |

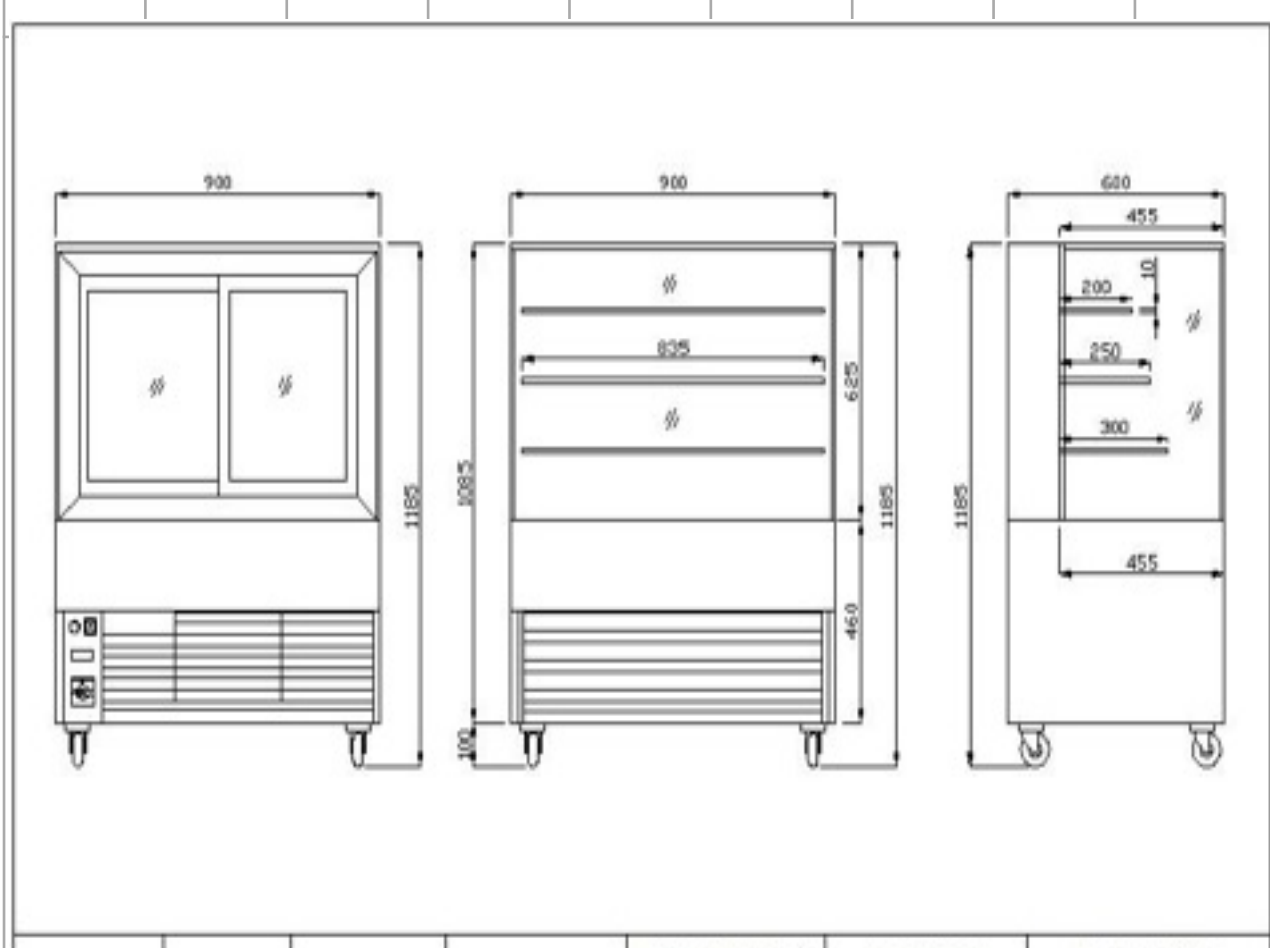
| | |
|--|----|
| Performance parameter: | |
| Highest temperature of the warmest M-package of the compartment(s) with chilled operating temperatures (°C) | +7 |
| Lowest temperature of the coldest M-package of the compartment(s) with chilled operating temperatures, or the highest minimum temperature of all M-packages of the compartment(s) with chilled operating temperatures (°C) | -1 |

| | | | |
|----------------------|------------------------|------------|----------------|
| Critical Components: | | | |
| Name | Manufacturer/trademark | Type/model | Technical data |
| Compressor | TECUMSEH | AE4425Y | 220-240V,50Hz |
| Controller | DIXEL | XR02CX | 220-240V,50Hz |

| | |
|------------------|--------|
| Test Condition: | |
| Dry Bulb | 25±1°C |
| Relativehumidity | 60±3% |
| Input Voltage | 230V |
| InputFrequency | 50Hz |

| Temperature and total display area Tests: | | | | | |
|---|--------|---------------------|-------|---------|---------------------------|
| Temperature Class | Symbol | TemperatureTest(°C) | | | Total display area test(m |
| | | Temperature | Limit | Verdict | |
| M2 | θah | 5.9 | ≤7 | Pass | 1.2 |
| | θb | 2.1 | ≥1 | Pass | |

| | |
|--|---------------------|
| Calculation for EEI and conclusion: | |
| Total display area TDA(m | 1.2 |
| M | 9.1 |
| N | 9.100 |
| P | 1.1 |
| Y | 1.2 |
| C | 1 |
| Calculation formula | SAE:365*P*(M+N*Y)*C |
| Standard annual engery consumption SAE(Kwh/24h) | 8038 |
| Daily energy consumption Edaily (kWh/24h) | 6 |
| Annual energy consumption AE(kWh/a) | 2190 |
| Energy Efficiency Index EEI | 27.2 |
| Energy efficiency class | C |
| From 1 March 2021:EEI<100,Ice-cream freezers:EEI<80 | Pass |
| From 1 September 2023:EEI<80,Ice-cream freezers:EEI<50 | Pass |



| Type | Length | Depth | Height | Nom. voltage/ frequency | Electrical fusing | Temperature range |
|------------|--------|--------|---------|-------------------------|-------------------|-------------------|
| ECO P60/90 | 900 mm | 600 mm | 1185 mm | 230 V/50 Hz | 13A, slow | 0 ... +7 °C |

