

Refrigerated Display Cabinet Test Report

Test Laboratory Name/Address	
Laboratory of FROST TECH(Guangzhou) Refrigeration Facilities CO.,LTD. Xiaowu Industrial Zone Dongchong Town,Nansha District,Guangzhou, Guangdong Province,P.R.China.	
Manufacturing Name/Address	
FROST TECH(Guangzhou) Refrigeration Facilities CO.,LTD. Xiaowu Industrial Zone Dongchong Town,Nansha District,Guangzhou, Guangdong Province,P.R.China.	
Brand Name	FROST TECH
Product	Refrigerated display cabinet
Description	The product covered by this report is a commercial used, cord connected refrigerated display cabinet.
Model(s)	ECO P60/150B
Voltage/Frequency	220-240V,50Hz
Rating current	3.5A
Drip tray Rating current	n/a
Teststandard(s)orcriteria(s)	(EU)2019/2018 (EU)2019/2024 ENISO23953-2:2015
Conclusion	The results are incompliance with there requirements of the EC regulation 2019/2024. Energy efficiency class: C

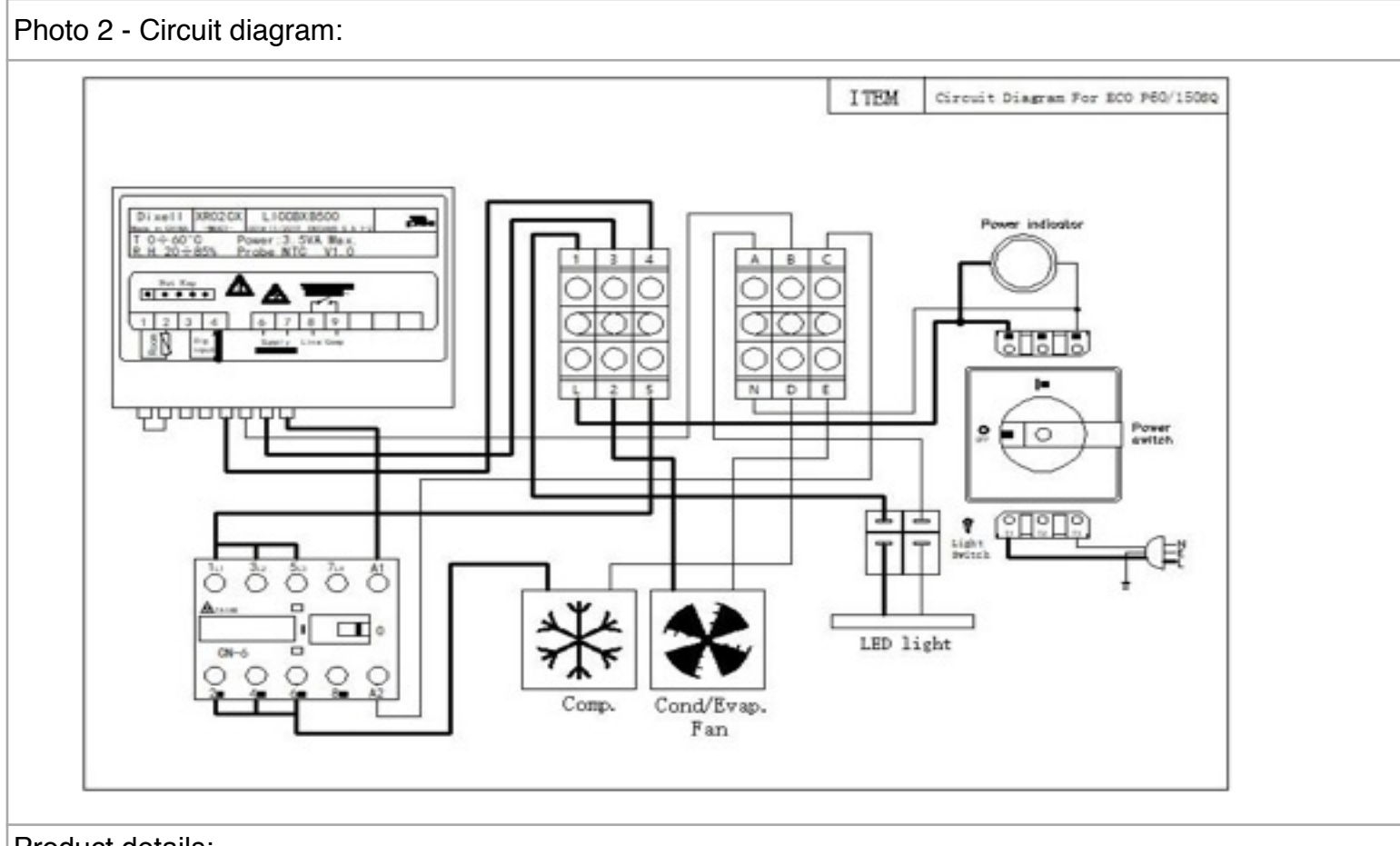
Prepared by:He Jianjin



Name plate:

COMMERCIAL DISPLAY CABINET	
Model	ECO P60/150B
Voltage/Frequency	220-240/50Hz
Rating current	3.5A
Refrigerant	R404A-R452A/350g
Compressor	Tecumseh AE4470Z
Controller	DIXEL XR02CX
Vesicant	CO2

Name:FROST TECH
Address:Xiaowu Industrial Zone Dongchong Town,Nansha District,Guangzhou,Guangdong Province,P.R.China.



Product details:

Cabinet family code	VC2
Cabinet type	Integral
Model number of Unit Under Tested	ECO P60/150B
Brand name	FROST TECH
Operating temperature(s)	Chilled
Category	Vertical and combined supermarket refrigerator cabinets
Energy efficiency class	C
Climate class	3
M Package TemperatureClass	M2
Doors	Rear Sliding Doors.
Shelves	3 Toughened glass shelves
Light	LED tube
Refrigerant	R404A-R452A
Charge of refrigerant(g)	350
Over all dimensions(W*D*H)[mm]	1500*600*1185

Performance parameter:

Highest temperature of the warmest M-package of the compartment(s) with chilled operating temperatures (°C)	+7
Lowest temperature of the coldest M-package of the compartment(s) with chilled operating temperatures, or the highest minimum temperature of all M-packages of the compartment(s) with chilled operating temperatures (°C)	-1

Critical Components:

Name	Manufacturer/trademark	Type/model	Technical data
Compressor	TECUMSEH	AE4470Z	220-240V,50Hz
Controller	DIXEL	XR02CX	220-240V,50Hz

Test Condition:

Dry Bulb	25±1°C
Relativehumidity	60±3%
Input Voltage	230V
InputFrequency	50Hz

Temperature and total display area Tests:

Temperature Class	Symbol	TemperatureTest(°C)			Total display area test(m
		Temperature	Limit	Verdict	
M2	θah	5.9	≤7	Pass	1.77
	θb	1.2	≥-1	Pass	

Calculation for EEI and conclusion:

Total display area TDA(m	1.77
M	9.1
N	9.100
P	1.1
Y	1.77
C	1
Calculation formula	SAE:365*P*(M+N*Y)*C
Standard annual engery consumption SAE(Kwh/24h)	10120
Daily energy consumption Edaily (kWh/24h)	9.5
Annual energy consumption AE(kWh/a)	3467.5
Energy Efficiency Index EEI	34.2
Energy efficiency class	C
From 1 March 2021 :EEI<100,Ice-cream freezers:EEI<80	Pass
From 1 September 2023:EEI<80,Ice-cream freezers:EEI<50	Pass

