

# Refrigerated Display Cabinet Test Report

<b>Test Laboratory Name/Address</b>	
Laboratory of FROST TECH(Guangzhou) Refrigeration Facilities CO.,LTD. Xiaowu Industrial Zone Dongchong Town,Nansha District,Guangzhou, Guangdong Province,P.R.China.	
<b>Manufacturing Name/Address</b>	
FROST TECH(Guangzhou) Refrigeration Facilities CO.,LTD. Xiaowu Industrial Zone Dongchong Town,Nansha District,Guangzhou, Guangdong Province,P.R.China.	
<b>Brand Name</b>	FROST TECH
<b>Product</b>	Refrigerated display cabinet
<b>Description</b>	The product covered by this report is a commercial used, cord connected refrigerated display cabinet.
<b>Model(s)</b>	ECO P60/120B
<b>Voltage/Frequency</b>	220-240V,50Hz
<b>Rating current</b>	3.5A
<b>Drip tray Rating current</b>	n/a
<b>Teststandard(s)orcriteria(s)</b>	(EU)2019/2018 (EU)2019/2024 ENISO23953-2:2015
<b>Conclusion</b>	The results are in compliance with the requirements of the EC regulation 2019/2024. Energy efficiency class: C

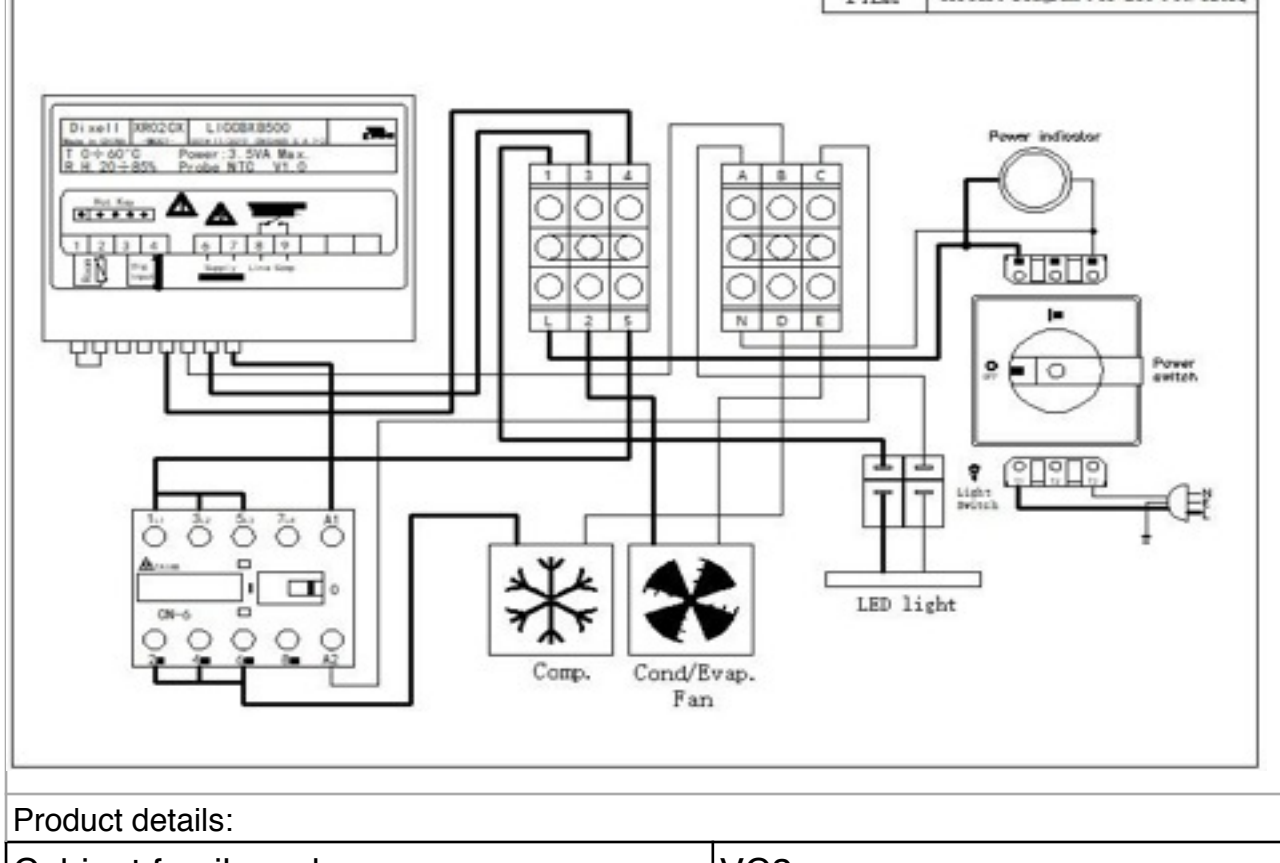
<b>Prepared by:</b> He Jianjin	



Name plate:

<b>COMMERCIAL DISPLAY CABINET</b>	
<b>Model</b>	ECO P60/120B
<b>Voltage/Frequency</b>	220-240/50Hz
<b>Rating current</b>	3.5A
<b>Refrigerant</b>	R404A-R452A/350g
<b>Compressor</b>	Tecumseh AE4470Z
<b>Controller</b>	DIXEL XR02CX
<b>Vesicant</b>	CO2

Name: FROST TECH  
Address: Xiaowu Industrial Zone Dongchong Town, Nansha District, Guangzhou, Guangdong Province, P.R. China.



Product details:

<b>Cabinet family code</b>	VC2
<b>Cabinet type</b>	Integral
<b>Model number of Unit Under Tested</b>	ECO P60/120B
<b>Brand name</b>	FROST TECH
<b>Operating temperature(s)</b>	Chilled
<b>Category</b>	Vertical and combined supermarket refrigerator cabinets
<b>Energy efficiency class</b>	C
<b>Climate class</b>	3
<b>M Package Temperature Class</b>	M2
<b>Doors</b>	Rear Sliding Doors.
<b>Shelves</b>	3 Toughened glass shelves
<b>Light</b>	LED tube
<b>Refrigerant</b>	R404A-R452A
<b>Charge of refrigerant(g)</b>	350
<b>Over all dimensions(W*D*H)[mm]</b>	1200*600*1185

Performance parameter:

Highest temperature of the warmest M-package of the compartment(s) with chilled operating temperatures (°C)	+7
Lowest temperature of the coldest M-package of the compartment(s) with chilled operating temperatures, or the highest minimum temperature of all M-packages of the compartment(s) with chilled operating temperatures (°C)	-1

Critical Components:

Name	Manufacturer/trademark	Type/model	Technical data
Compressor	TECUMSEH	AE4470Z	220-240V,50Hz
Controller	DIXEL	XR02CX	220-240V,50Hz

Test Condition:

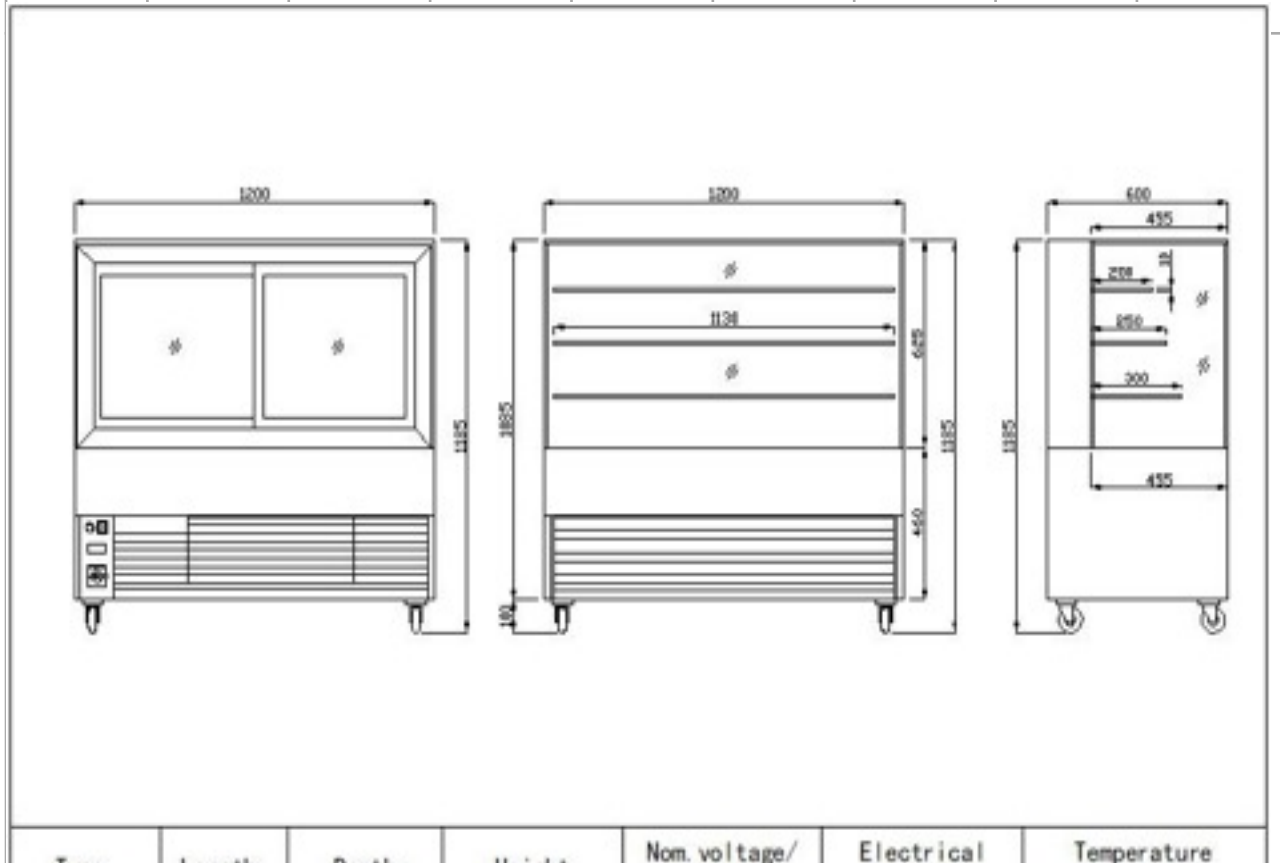
<b>Dry Bulb</b>	25±1°C
<b>Relative humidity</b>	60±3%
<b>Input Voltage</b>	230V
<b>Input Frequency</b>	50Hz

Temperature and total display area Tests:

Temperature Class	Symbol	Temperature Test(°C)			Total display area test(m
		Temperature	Limit	Verdict	
M2	θah	5.9	≤7	Pass	1.48
	θb	1.2	≥-1	Pass	

Calculation for EEI and conclusion:

<b>Total display area TDA(m</b>	1.48
<b>M</b>	9.1
<b>N</b>	9.100
<b>P</b>	1.1
<b>Y</b>	1.48
<b>C</b>	1
<b>Calculation formula</b>	SAE:365*P*(M+N*Y)*C
<b>Standard annual energy consumption SAE(Kwh/24h)</b>	9061
<b>Daily energy consumption Edaily (kWh/24h)</b>	8.5
<b>Annual energy consumption AE(kWh/a)</b>	3102.5
<b>Energy Efficiency Index EEI</b>	34.2
<b>Energy efficiency class</b>	C
<b>From 1 March 2021:EEI&lt;100,Ice-cream freezers:EEI&lt;80</b>	Pass
<b>From 1 September 2023:EEI&lt;80,Ice-cream freezers:EEI&lt;50</b>	Pass



Type	Length	Depth	Height	Nom. voltage/frequency	Electrical fusing	Temperature range
ECO P60/120	1200 mm	600 mm	1185 mm	230 V/50 Hz	13A, slow	0 ... +7 °C



