

Upright Frreezer Storage Cabinet Test Report

Test Laboratory Name/Address

Laboratory of FROST TECH(Guangzhou) Refrigeration Facilities CO.,LTD.
Xiaowu Industrial Zone Dongchong Town,Nansha District,Guangzhou,
Guangdong Province,P.R.China.

Manufacturing Name/Address

FROST TECH(Guangzhou) Refrigeration Facilities CO.,LTD.
Xiaowu Industrial Zone Dongchong Town,Nansha District,Guangzhou,
Guangdong Province,P.R.China.

Brand Name	FROST TECH
Product	Upright freezer storage cabinet
Description	The product covered by this report is a commercial used,cord connected upright Freezer storage cabinet.
Model(s)	ECO-GN1440L
Voltage/Frequency	220-240V,50Hz
Rating current	3A
Teststandard(s)orcriteria(s)	(EU)2019/2018 (EU)2019/2024 ENISO23953-2:2015
Conclusion	The results are incompliance with there requirements of the EC regulation 2019/2024. Energy efficiency class: B

Prepared by:He Jianjin

Photo 1 - Front view:



Name plate:

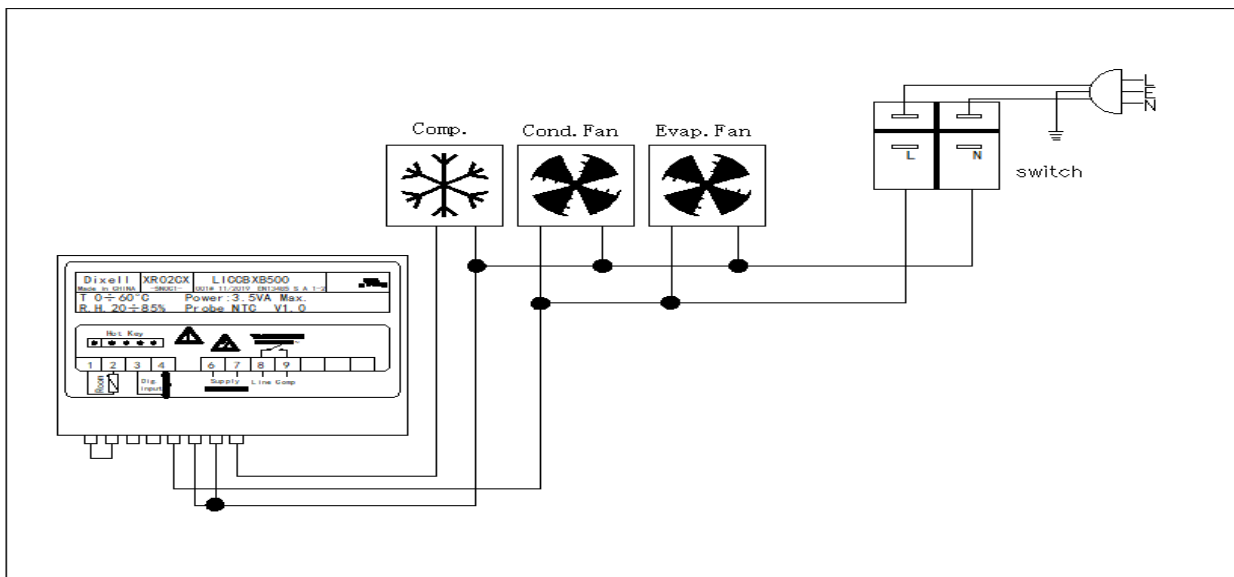
COMMERCIAL STORAGE CABINET	
Model	ECO-GN1440L
Voltage/Frequency	220-240/50Hz
Rating current	3A
Refrigerant	R290A/150g
Compressor	T2170U
Controller	DIXEL XR02CX
Vesicant	Cyclopentane

Name:FROST TECH

Address:Xiaowu Industrial Zone Dongchong Town,Nansha

District,Guangzhou,Guangdong Province,P.R.China.

Photo 2 - Circuit diagram:



Product details:

Cabinet family code	SFV-ND
Cabinet type	Integral
Exterior body	Silver
Interior body	Aluminium
Model number of Unit Under Tested	ECO-GN1440L
Brand name	FROST TECH
Operating temperature(s)	Freezer
Category	Vertical Storage Freezer cabinets
Energy efficiency class	B
Climate class	4
M PackageTemperatureClass	L1
Doors	2 Self-closing hinged door
Shelves	12
Light	N/A
Refrigerant	R290.
Charge of refrigerant(g)	150g
Over all dimensions(W*D*H)[mm]	730*880*2010

Performance parameter:

Highest temperature of the warmest M-package of the compartment(s) with chilled operating temperatures (°C)	-15°C
Lowest temperature of the coldest M-package of the compartment(s) with chilled operating temperatures, or the highest minimum temperature of all M-packages of the compartment(s) with chilled operating temperatures (°C)	-18°C

Critical Components:

Name	Manufacturer/trademark	Type/model	Technical data
Compressor	EMBRACO	T2170U	220-240V,50Hz
Controller	DIXEL	XR02CX	220-240V,50Hz

Test Condition:

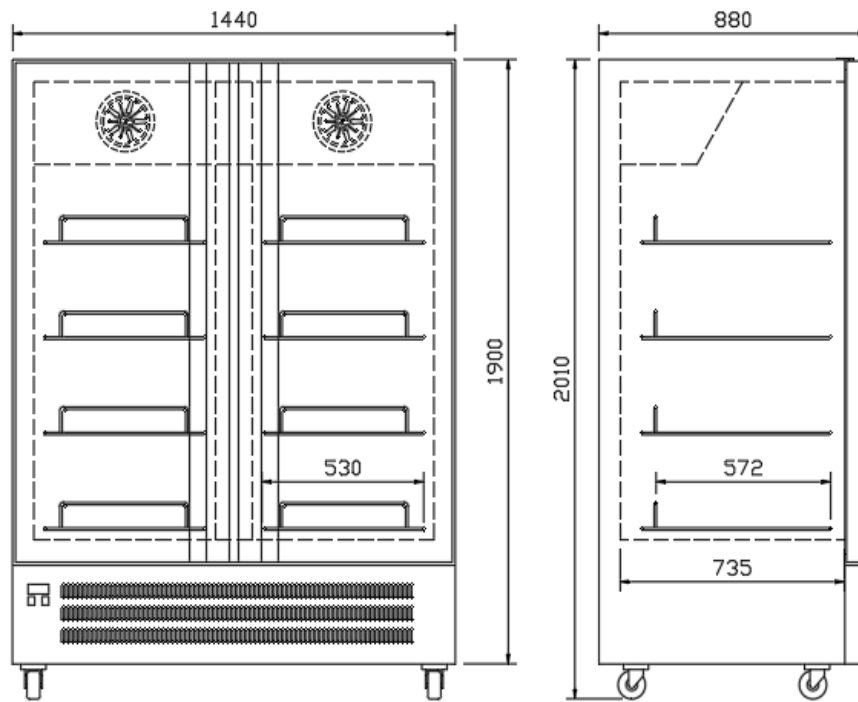
Dry Bulb	30±1°C
Relativehumidity	55±3%
Input Voltage	230V
InputFrequency	50Hz

Temperature and total display area Tests:

Temperature Class	Symbol	TemperatureTest(°C)			Total VOLUME LITERS
		Temperature	Limit	Verdict	
L1	θah	-17	≥ -15	Pass	1250
	θb	-18	≤ -18	Pass	

Calculation for EEI and conclusion:

Total Volume /Liters	1250
M	4.928
N	1472
Vn	1250
Calculation formula	SAEC=(M*Vn)+N
Standard annual engery consumption SAEC(KWh/a)	7632
Daily energy consumption Edaily (kWh/24h)	7.12
Annual energy consumption AEC(kWh/a)	2600
Energy Efficiency Index EEI=AEC/SAEC *100	34.18
Energy efficiency class	B
	Pass



Type	Length	Depth	Height	Nom. voltage/ frequency	Electrical fusing	Temperature range
ECO GN1440L	1440 mm	880 mm	2010 mm	230 V/50 Hz	13A, slow	-24 ... -18 °C